

Bottom connector switch
 Closed = no accessories connected
 Open = accessories connected

Soldered for connection to HUBS
 Can be shorted to E182

MCU
 DS90C01, 27.1

1	VCC
2	GND
3	VCC
4	GND
5	VCC
6	GND
7	VCC
8	GND
9	VCC
10	GND
11	VCC
12	GND
13	VCC
14	GND
15	VCC
16	GND
17	VCC
18	GND
19	VCC
20	GND
21	VCC
22	GND
23	VCC
24	GND
25	VCC
26	GND
27	VCC
28	GND
29	VCC
30	GND
31	VCC
32	GND
33	VCC
34	GND
35	VCC
36	GND
37	VCC
38	GND
39	VCC
40	GND

LED LIGHT
 KEY LIGHT

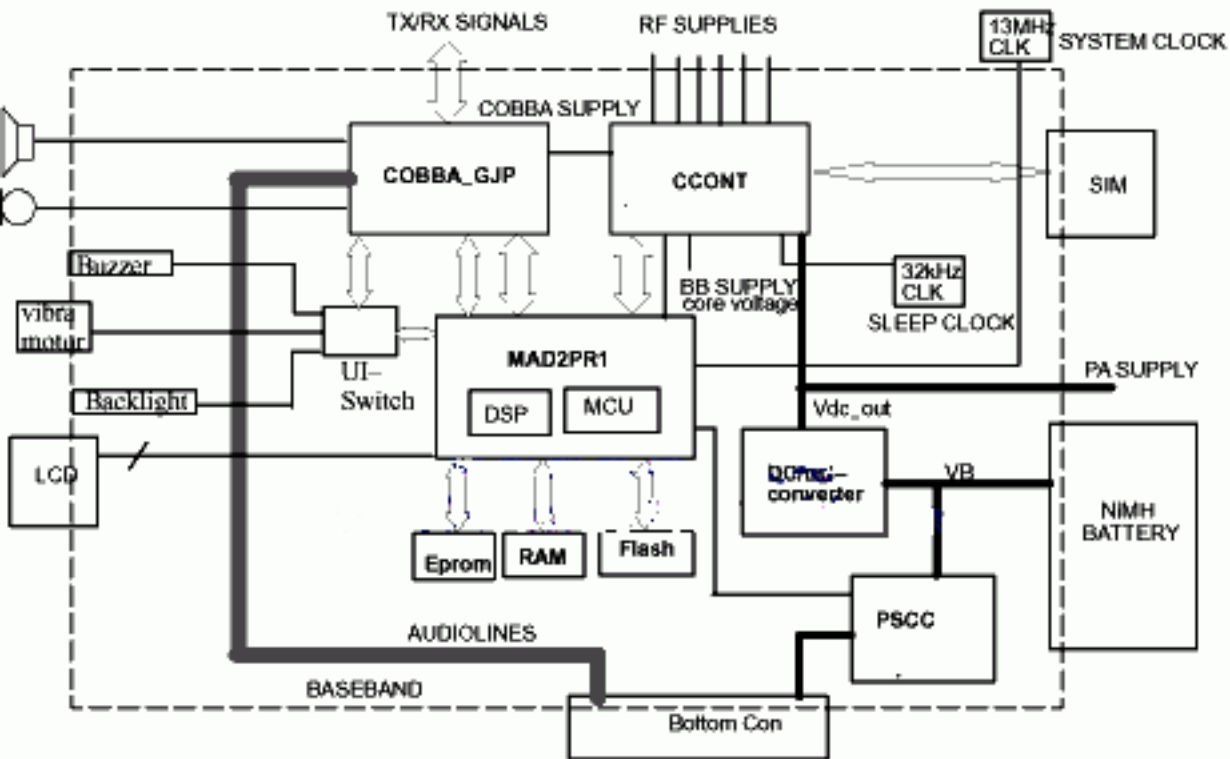
RBC

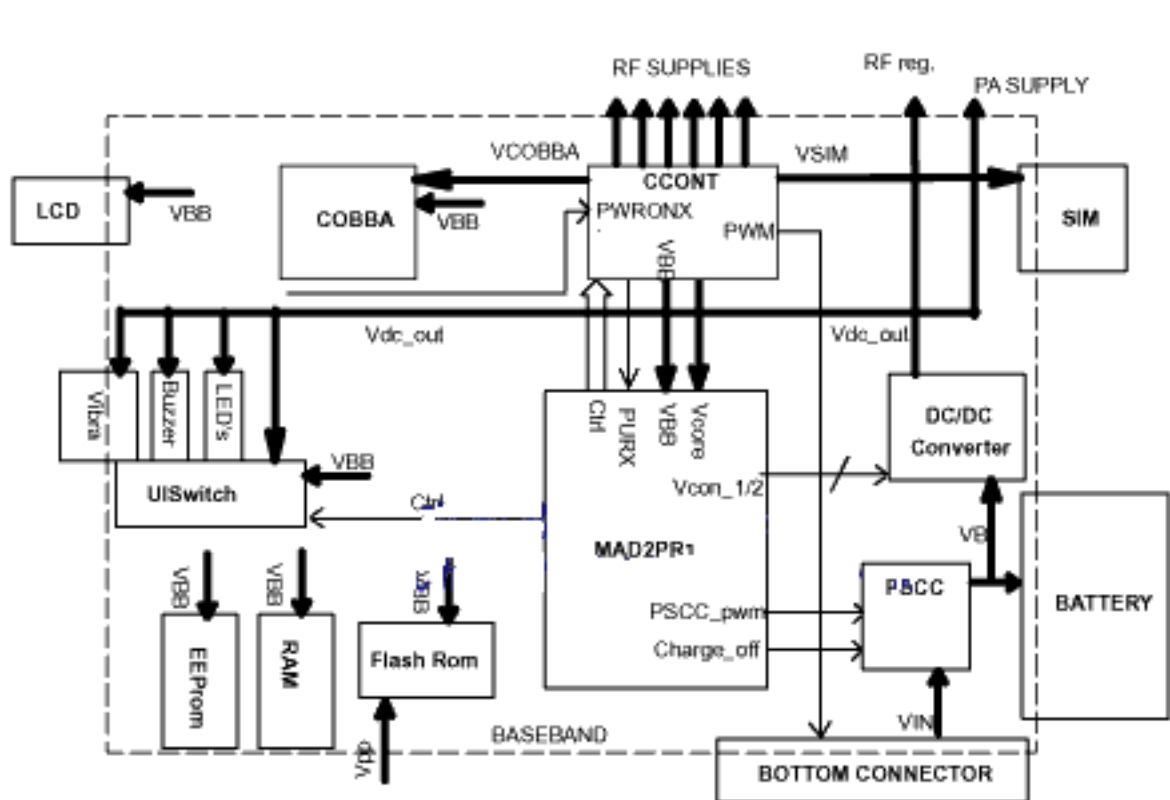
AFC

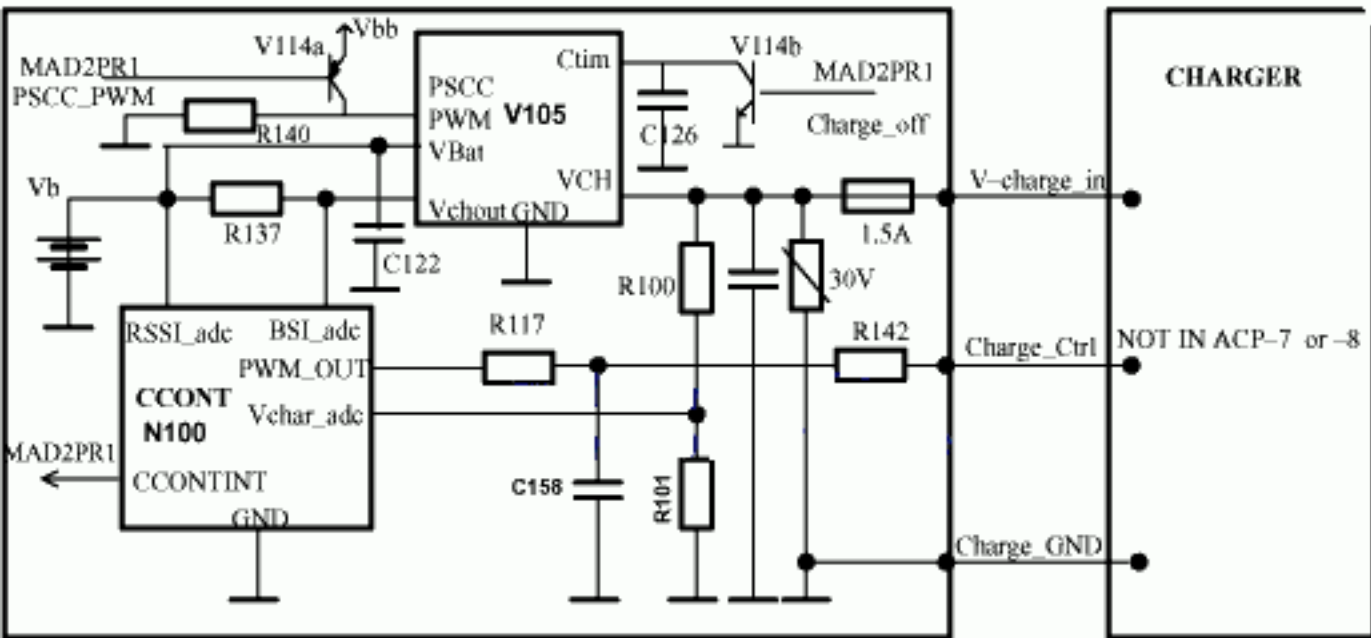
COBRA RESET
 COBRA CLIP

PCN13.01

SEPP13.01





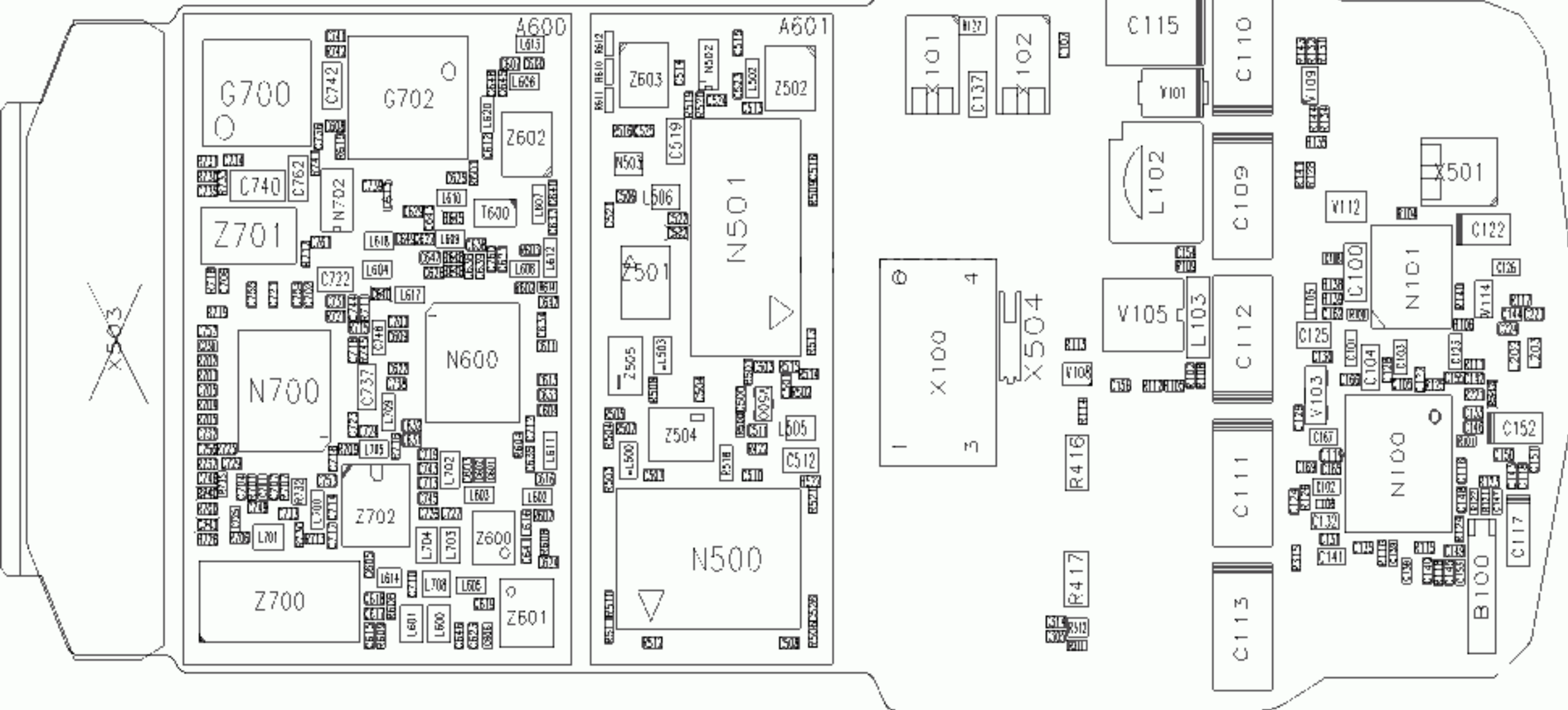


TRANSCEIVER

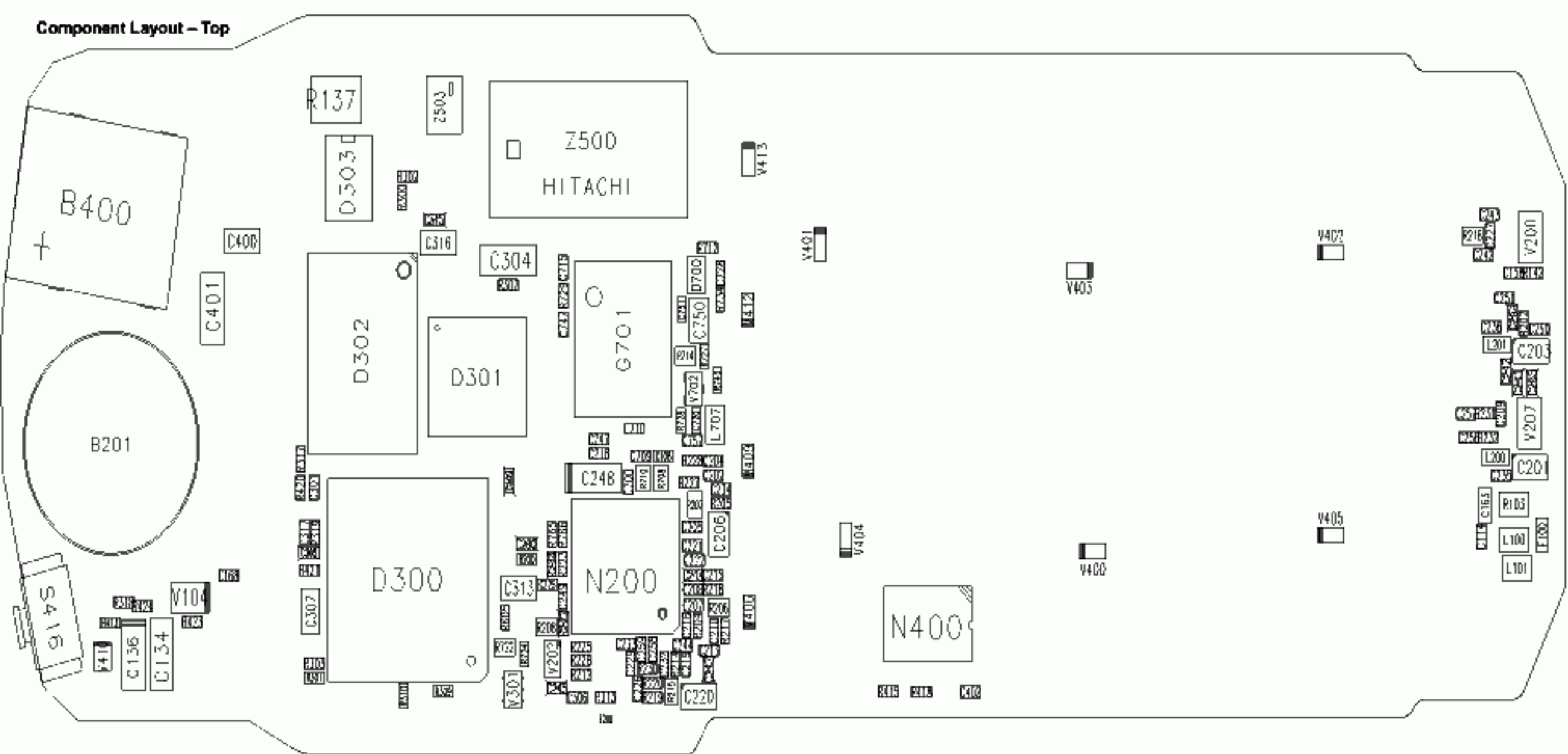
CHARGER

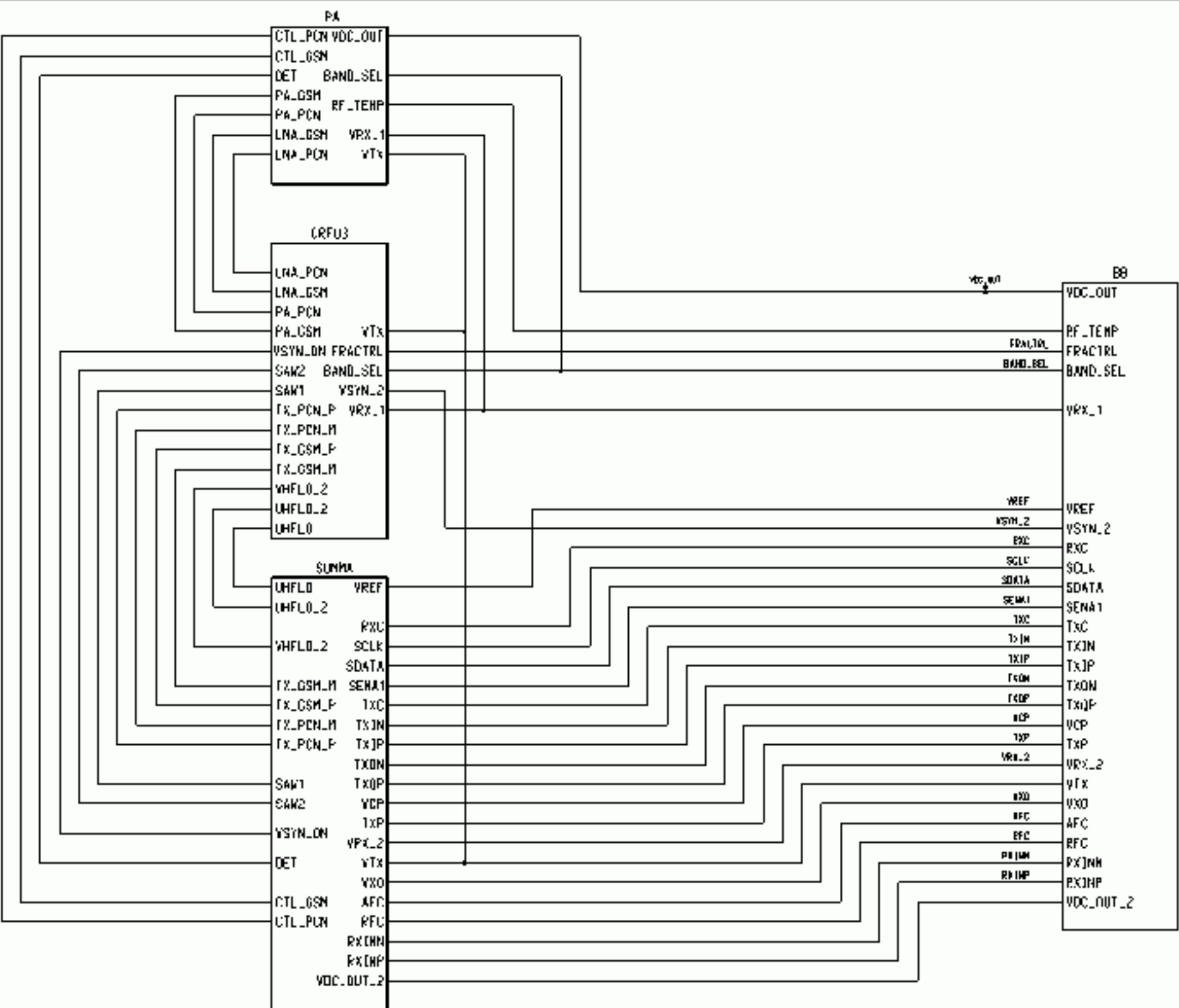
NOT IN ACP-7 or -8

Component Layout – Bottom



Component Layout - Top





PA

CTL_PCN VDC_OUT
 CTL_GSM
 DET BAND_SEL
 PA_GSM RF_TEMP
 PA_PCN
 LNA_GSM VRX_1
 LNA_PCN VTX

CRFU3

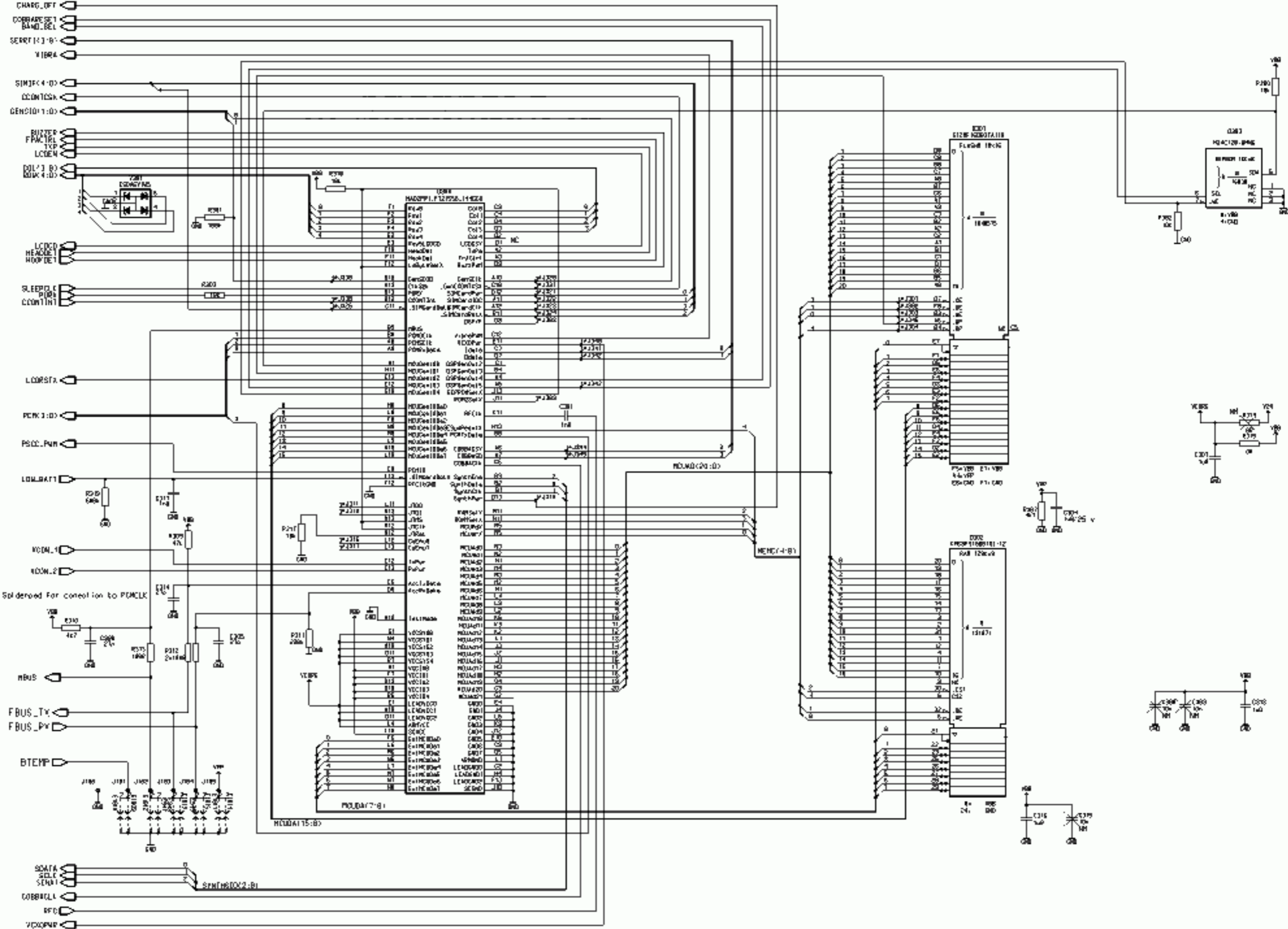
LNA_PCN
 LNA_GSM
 PA_PCN
 PA_GSM VTX
 VSYN_ON FRACTRL
 SAW2 BAND_SEL
 SAW1 VSYN_2
 TX_PCN_P VRX_1
 TX_PCN_M
 TX_GSM_P
 TX_GSM_M
 WHFLO_2
 UHFLO_2
 UHFLO

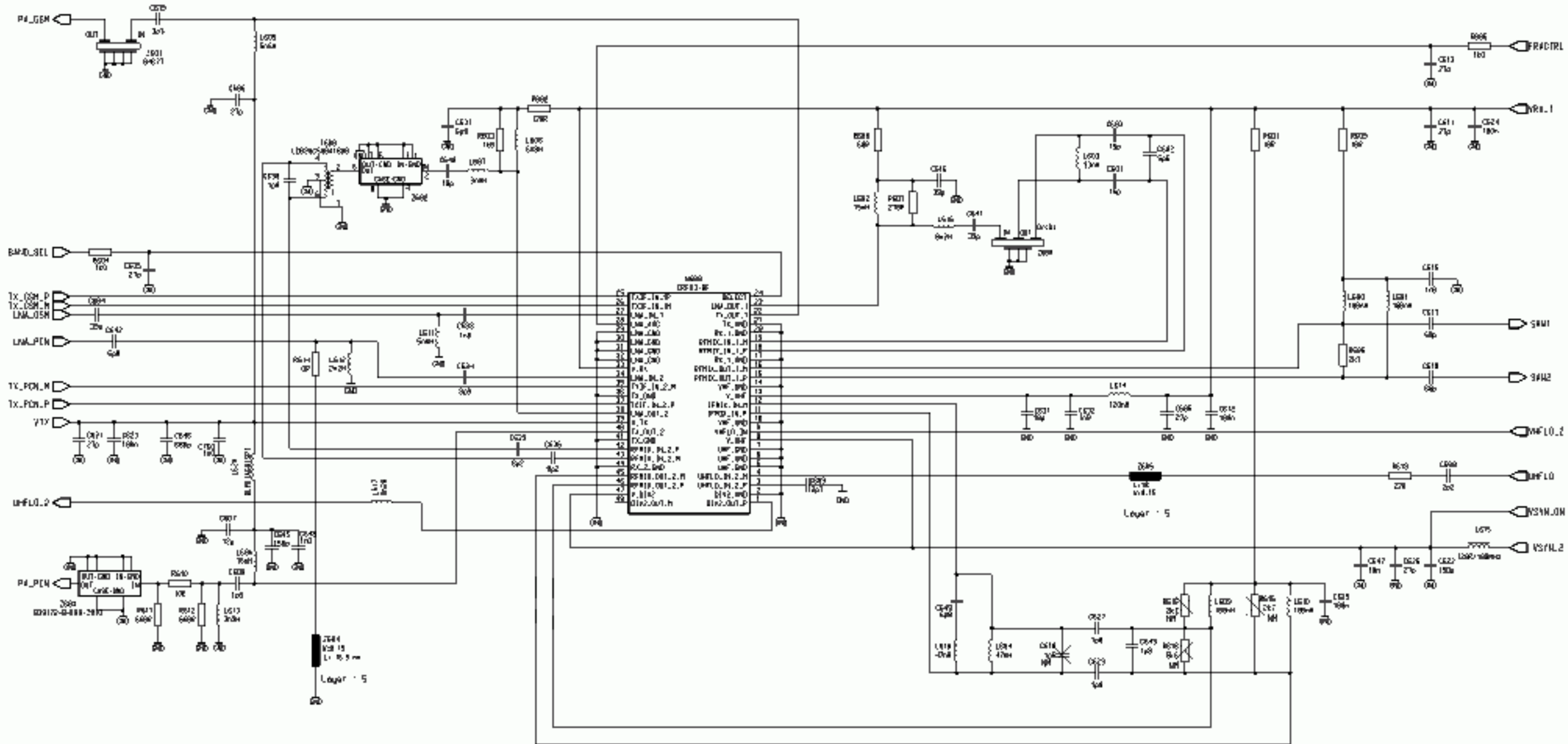
SUMMA

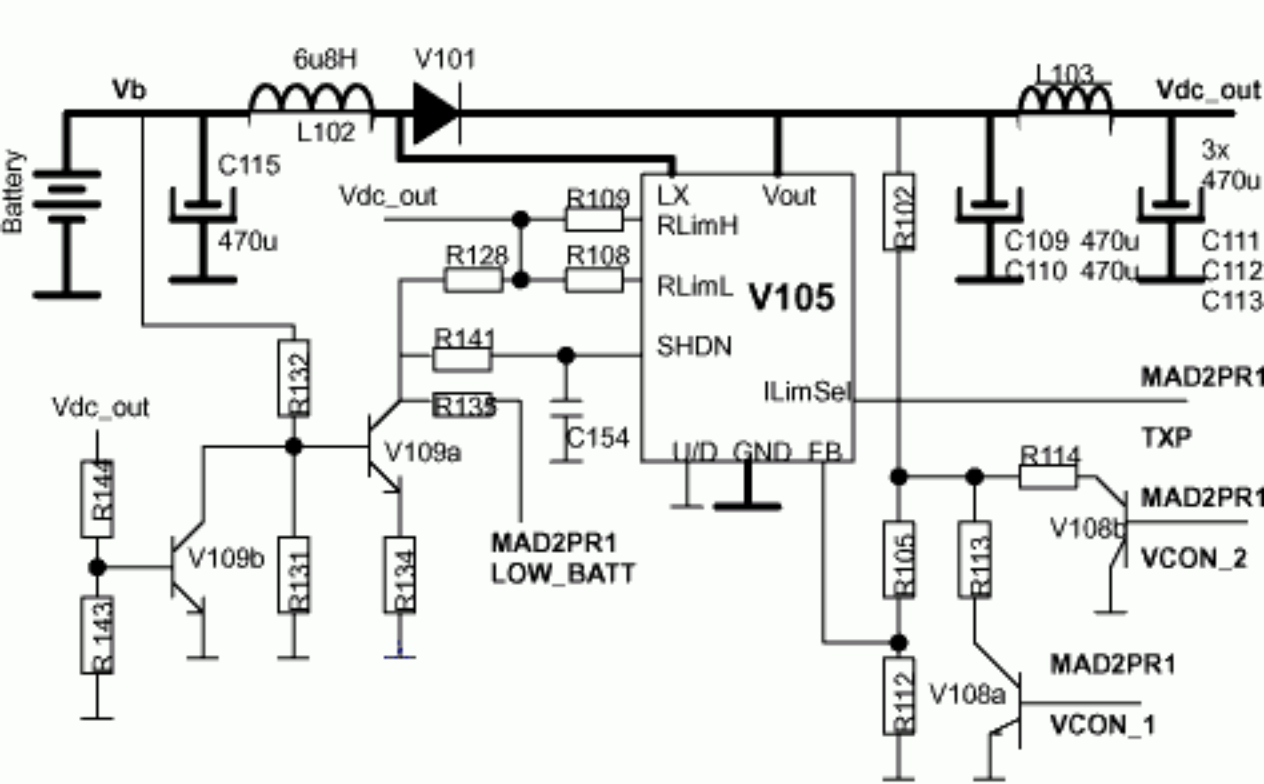
UHFLO VREF
 UHFLO_2
 WHFLO_2 RXC
 SCLK
 SDATA
 TX_GSM_M SEN_A1
 TX_GSM_P TXC
 TX_PCN_M TXJN
 TX_PCN_P TXJP
 TXON
 TXOP
 SAW1 TXOP
 SAW2 VCP
 VSYN_ON TXP
 VPR_2
 DET VTX
 VXD
 VXD
 VFC
 AFC
 RFC
 PDIUM
 PDIUM
 RXJNP
 RXJNP
 VDC_OUT_2

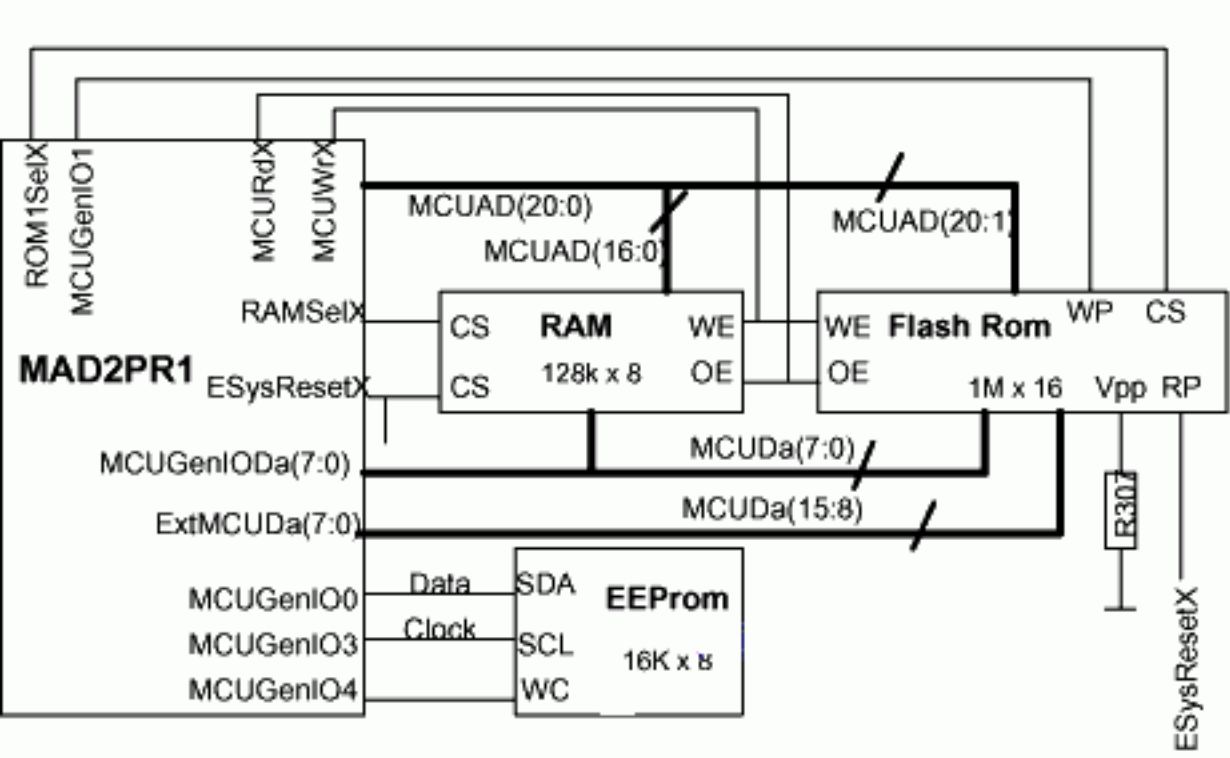
BB

VDC_OUT
 RF_TEMP
 FRACTRL
 BAND_SEL
 VRX_1
 VREF
 VSYN_2
 RXC
 SCLK
 SDATA
 SEN_A1
 TXC
 TXJN
 TXJP
 TXON
 TXOP
 VCP
 TXP
 VPR_2
 VTX
 VXD
 VXD
 VFC
 AFC
 RFC
 PDIUM
 PDIUM
 RXJNP
 RXJNP
 VDC_OUT_2

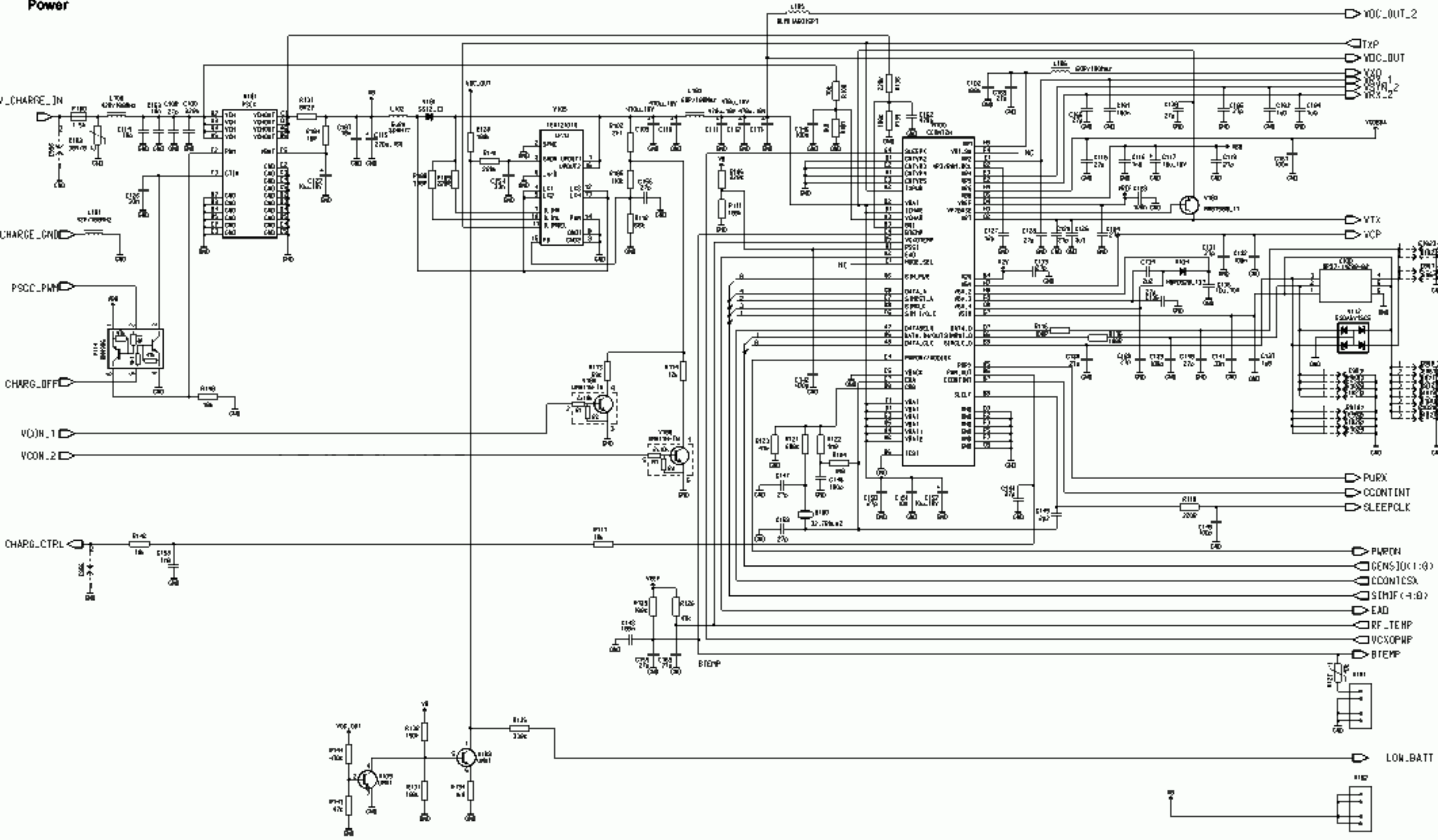


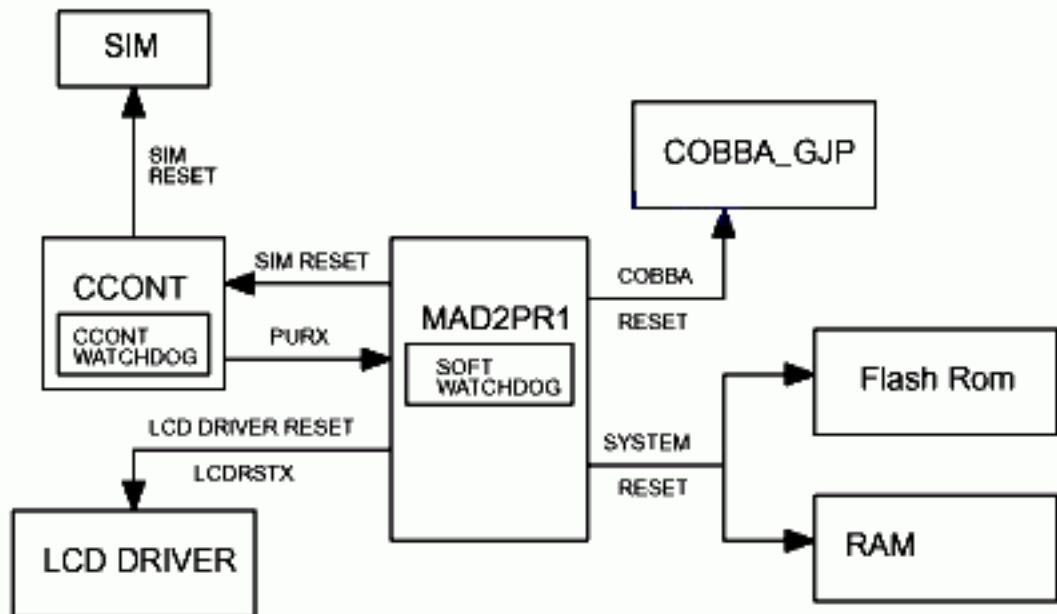


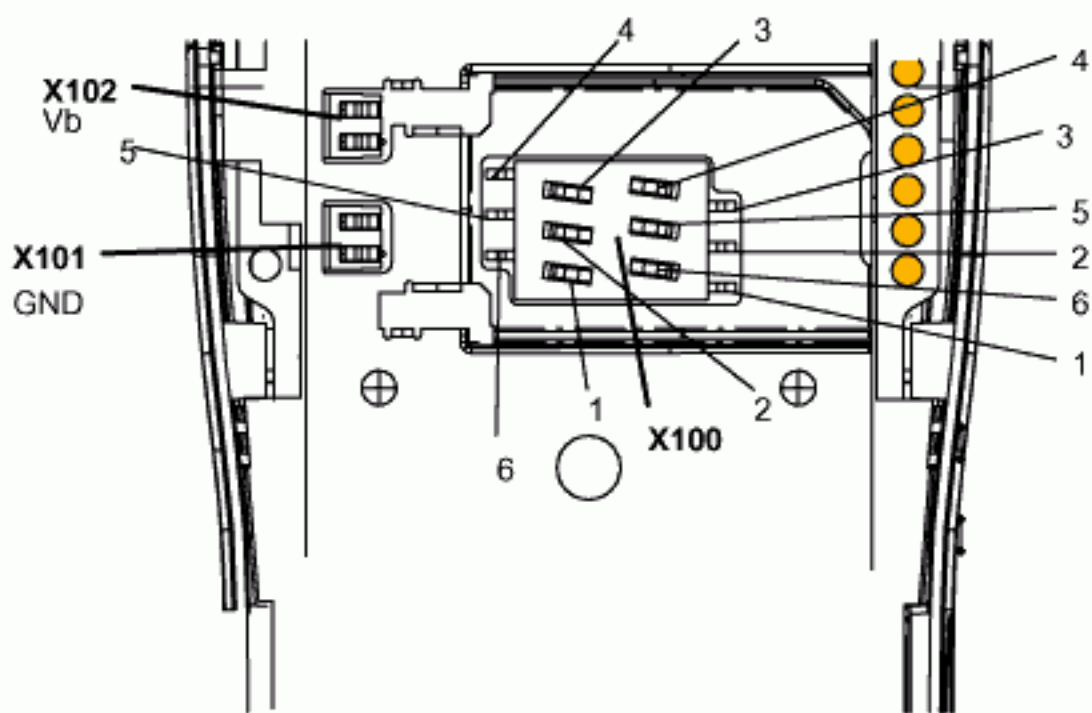




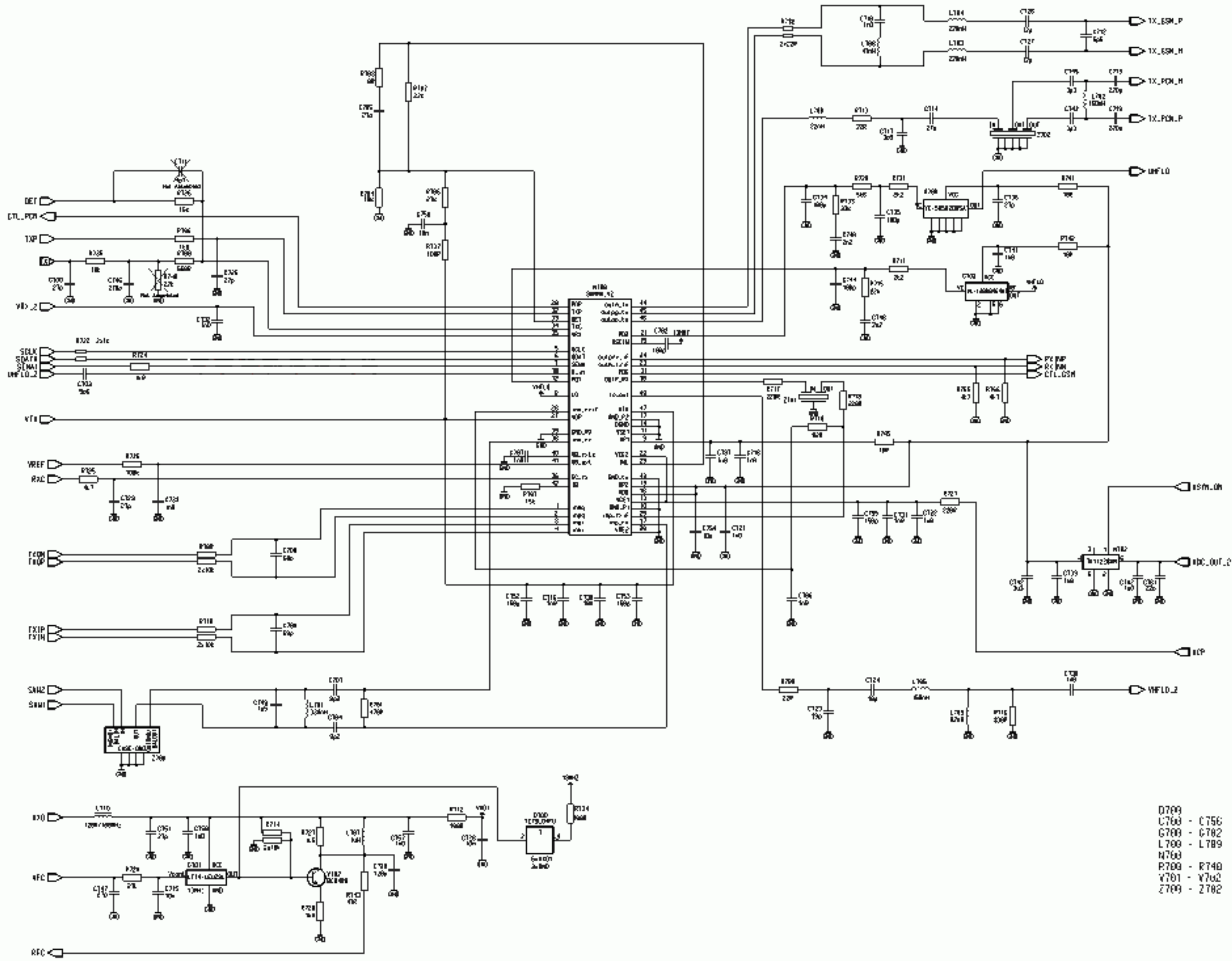
Power







1-GND 2,b-VSIM Support 3v & 5v 3-SIM Data
 4-SIM Reset 5-SIM Clock



- D700 - C756
- C760 - C782
- G700 - G782
- L700 - L789
- N760
- R700 - R740
- V701 - V762
- Z700 - Z782

